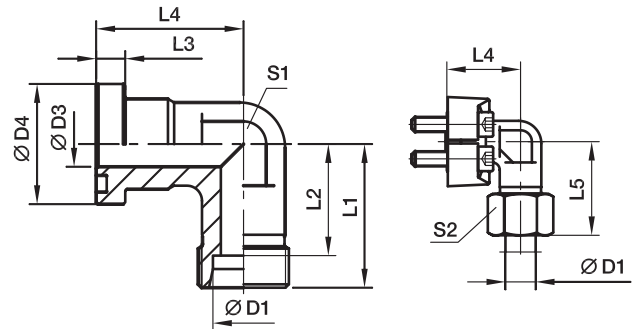


## WFS SAE 90° Elbow flange adapter

SAE Flange / EO 24° cone end  
(ISO 6162-1/-2)



### 6000 PSI Series

Nom. flange size		D1 <sup>2)</sup>											Bolts		Weight (steel) kg/piece	Order code*	PN (bar) <sup>1)</sup>	
SAE (in.)	ISO (DN)		D3	D4	L1	L2	L3	L4	L5	S1	S2	(metr.)	(unc.)	CF			71	
1/2	13	12S	12	31.8	50	42.5	7.7	44	58.5	22	24	M 08x30	5/16x1 1/4	0.22	<b>WFS62/12S</b>	420	420	
1/2	13	14S	12	31.8	50	42.0	7.7	44	59.5	22	27	M 08x30	5/16x1 1/4	0.27	<b>WFS62/14S</b>	420	420	
1/2	13	16S	12	31.8	38	29.5	7.7	39	48.0	24	30	M 08x30	5/16x1 1/4	0.19	<b>WFS62/16S</b>	420	420	
3/4	19	16S	17	41.3	45	36.5	8.7	48	55.0	32	30	M 10x35	3/8x1 1/2	0.42	<b>WFS63/16S</b>	420	420	
3/4	19	20S	17	41.3	46	35.5	8.7	48	57.0	32	36	M 10x35	3/8x1 1/2	0.42	<b>WFS63/20S</b>	420	400	
3/4	19	25S	17	41.3	48	36.0	8.7	48	60.0	32	46	M 10x35	3/8x1 1/2	0.46	<b>WFS63/25S</b>	420	400	
1	25	20S	16	47.6	65	54.5	9.5	62	75.0	34	36	M 12x45	7/16x1 3/4	0.60	<b>WFS64/20S</b>	420	400	
1	25	25S	20	47.6	53	41.0	9.5	60	65.0	41	46	M 12x45	7/16x1 3/4	0.74	<b>WFS64/25S</b>	420	400	
1	25	30S	25	47.6	55	41.5	9.5	60	68.0	41	50	M 12x45	7/16x1 3/4	0.64	<b>WFS64/30S</b>	420	400	
1 1/4	32	25S	25	54.0	72	60.0	10.2	70	84.0	42	46	M 12x50	1/2x1 3/4	1.06	<b>WFS65/25S/12<sup>3)</sup></b>	420	400	
1 1/4	32	30S	30	54.0	58	44.5	10.2	68	71.0	46	50	M 12x50	1/2x1 3/4	0.88	<b>WFS65/30S/12<sup>3)</sup></b>	420	400	
1 1/4	32	38S	30	54.0	72	56.0	10.2	70	87.0	46	60	M 12x50	1/2x1 3/4	0.93	<b>WFS65/38S/12<sup>3)</sup></b>	420	315	
1 1/4	32	25S	20/28	54.0	72	60.0	10.3	70	84.0	42	46	M 14x50	-	1.06	<b>WFS65/25S</b>	420	400	
1 1/4	32	30S	30	54.0	58	44.5	10.2	68	71.0	46	50	M 14x50	-	0.88	<b>WFS65/30S</b>	420	400	
1 1/4	32	38S	30	54.0	72	56.0	10.2	70	87.0	46	60	M 14x50	-	0.93	<b>WFS65/38S</b>	420	315	
1 1/2	38	30S	25	63.5	76	63.5	12.5	77	90.0	50	50	M 16x55	5/8x2 1/4	1.75	<b>WFS66/30S</b>	420	400	
1 1/2	38	38S	32	63.5	84	68.0	12.5	80	99.0	50	60	M 16x55	5/8x2 1/4	1.46	<b>WFS66/38S</b>	420	315	

<sup>1)</sup>Pressure shown = Item deliverable

<sup>2)</sup>S = heavy series

$$\frac{PN \text{ (bar)}}{10} = PN \text{ (MPa)}$$

Delivery without nut and ring.

Information on ordering complete fittings

or alternative sealing materials see page M12.

<sup>3)</sup> Order code for the elbow flange adapter assembled with FHS65/12CFX and M12x50 bolts.

See pages M16 and M19 for related flange halves depending on bolt sets.

Stainless steel parts may have dimensional deviations. Additional information on request.

\*Please add the **suffixes** below according to the material/surface required.

Order code suffixes					
Material	Suffix surface and material	Example only flange adapter	Example incl. splitflanges, metr. bolts and O-ring	Example incl. splitflanges, UNC bolts and O-ring	Standard sealing material (no additional suffix needed)
Steel, zinc plated, Cr(VI)-free	CF	WFS62/16SCFX	WFS62/16SOMDCF	WFS62/16SOMDCFU	NBR
Stainless steel	71	WFS62/16S71X	WFS62/16SOMD71	-	VIT